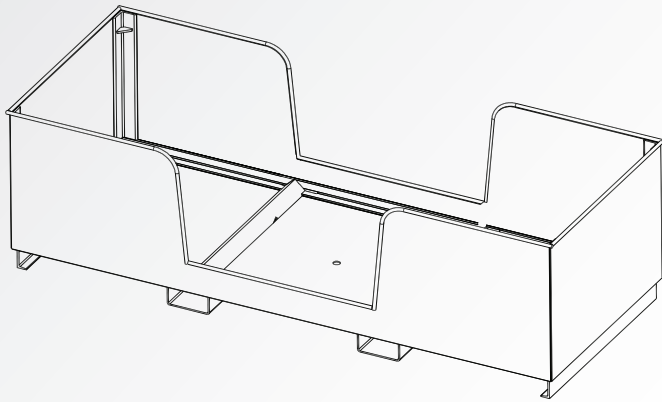




**MATERIAL HANDLING  
SOLUTIONS**

# REBAR / BOLT BOXES



Stanley Appleton's Rebar / Bolt Boxes are the perfect fit for your job site. Our Rebar / Bolt Boxes are designed to hold rebar, rock bolts, friction sets, lumber and more.

We have enhanced the floor design on our Boxes to allow a higher height on the floor to reduce the risk of bending your product with the yard fork lift.

**Stanley Appleton's** Rebar / Bolt Boxes are available in your choice of Steel, Aluminum and Stainless Steel.

Your options include:

- Size
- Colour
- Customized ID Plate
- Drain Holes

